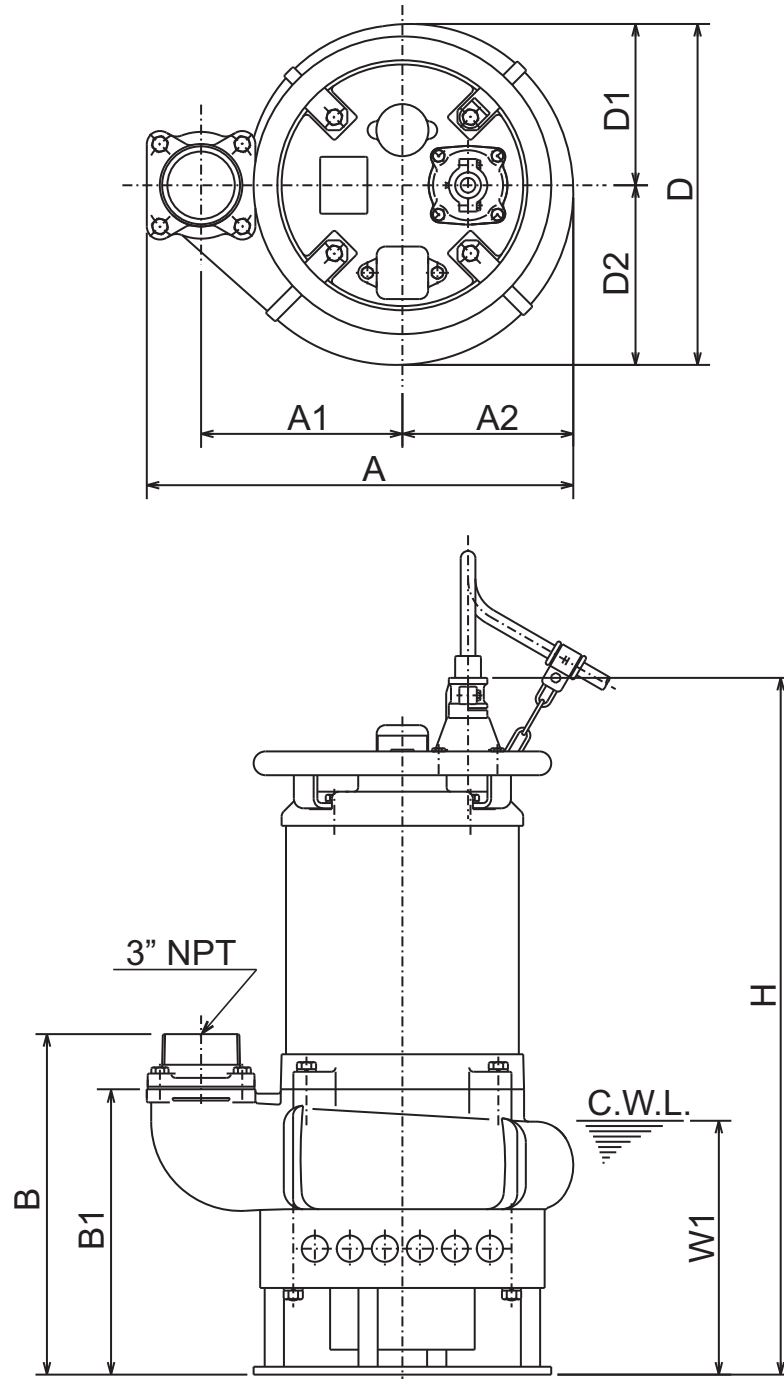




GPN - SERIES
SUBMERSIBLE AGITATOR PUMPS

DIMENSIONS

GPN35.5-61



C.W.L. : Continuous running Water Level

DIMENSIONS:USCS (Inch)

Model	HP	NOM. SIZE	Pump & Motor									C.W.L. W1	*Wt. (lbs.)
			A	A1	A2	B	B1	D	D1	D2	H		
GPN35.5-61	7.5	3"	19 3/16	9 1/16	7 11/16	15 5/16	12 13/16	15 3/8	7 5/16	8 1/16	31 5/16	11 3/8	319

DIMENSIONS:METRIC (mm)

Model	kW	NOM. SIZE	Pump & Motor									C.W.L. W1	*Wt. (kg)
			A	A1	A2	B	B1	D	D1	D2	H		
GPN35.5-61	5.5	80	487	230	195	389	326	390	185	205	796	290	145

*Excluding Cable

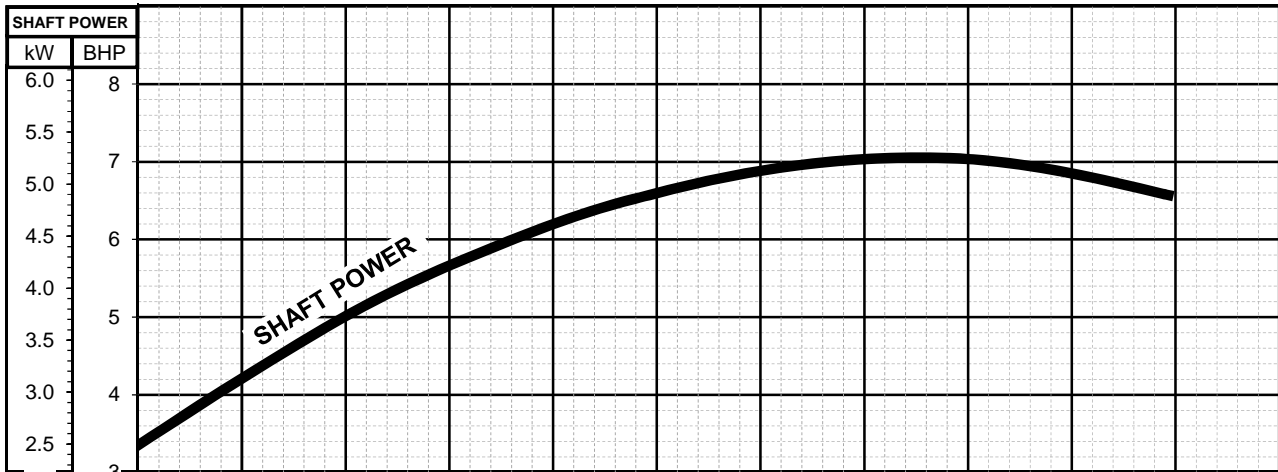
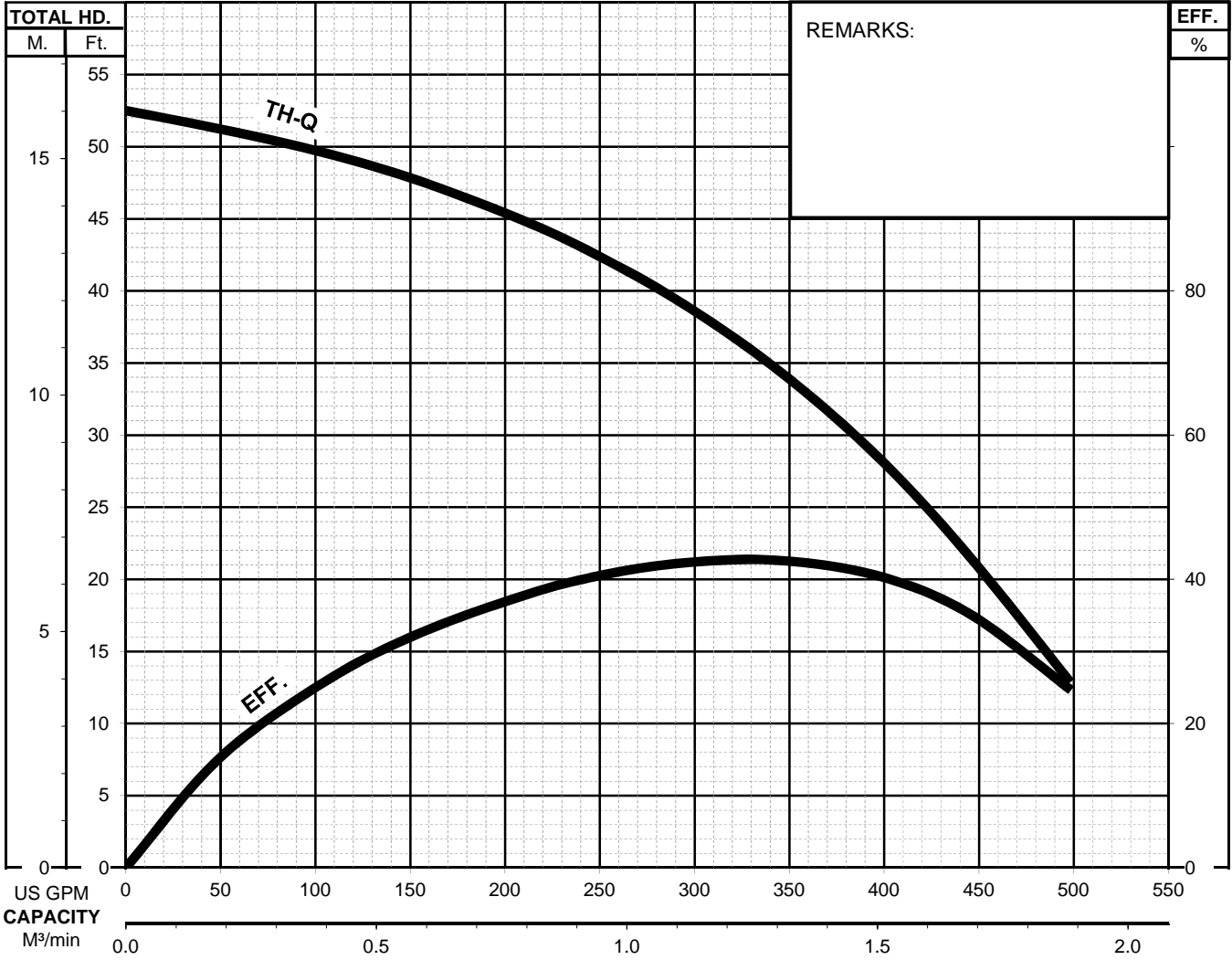


GPN - SERIES

SUBMERSIBLE AGITATOR PUMPS

PERFORMANCE
CURVE

MODEL	BORE	HP	kW	RPM	SOLIDS DIA.	LIQUID	SG.	VISCOSITY	TEMP.
GPN35.5-61	3"/80mm	7.5	5.5	1720	1.18"/30mm	Water	1.0	1.123cSt.	60°F
PUMP TYPE	PHASE	VOLTAGE	AMPERAGE	HZ	STARTING METHOD	INS. CLASS			
Agitator Pump	3	208-220/460/575	21.4 -20.0 / 9.3 / 7.6	60	Direct On Line	E			
CURVE No.	DATE	PHASE	VOLTAGE	AMPERAGE	HZ	STARTING METHOD	INS. CLASS		
-	-	-	-	-	-	-	-		

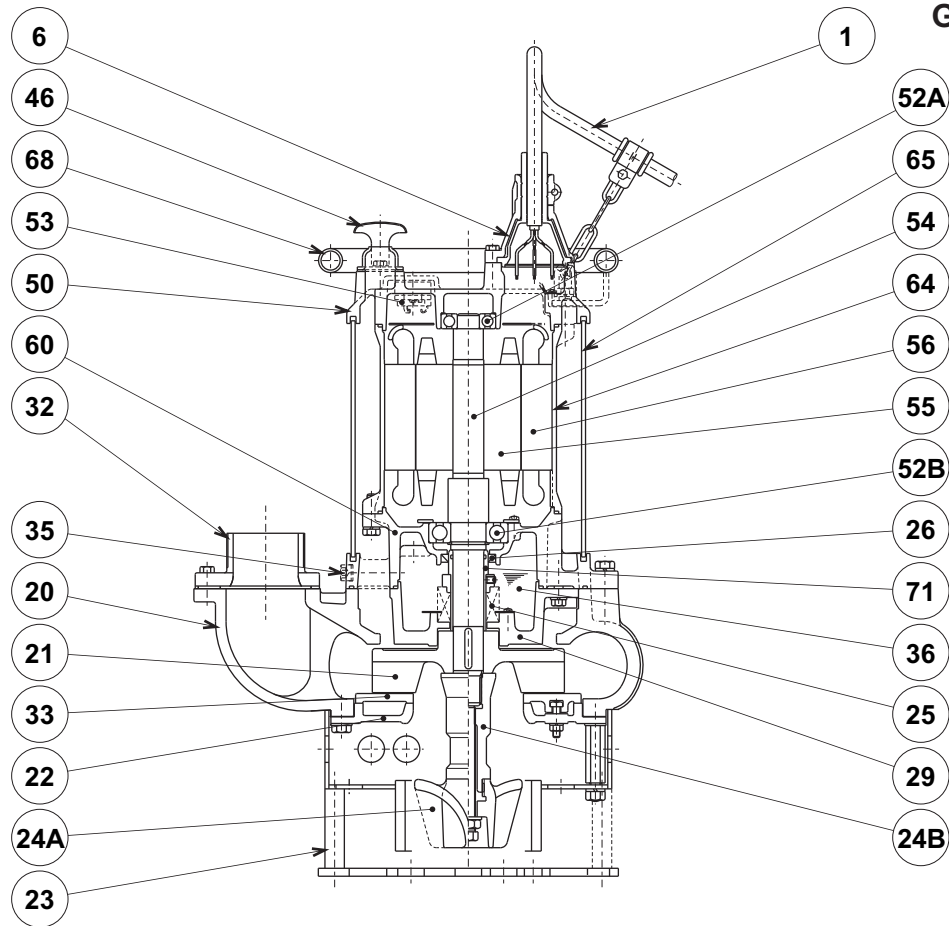




TSURUMI PUMP

**GPN - SERIES
SUBMERSIBLE AGITATOR PUMPS**

SECTIONAL VIEW



ITEM#	DESCRIPTION	MAIN MATERIAL / NOTE	RELATED ASTM, AISI CODE	RELATED EN CODE	Q'TY
1	Power Cable	Chloroprene Sheath AWG12/4-50ft			1
6	Stuffing Box	Cast Iron			1
20	Pump Casing	Cast Iron	A48M Class30B	EN 1561 GJL-200	1
21	Impeller	High Chrome Cast Iron	A532 Class III Type A	DIN 1695 G-X260Cr27	1
22	Suction Cover	Cast Iron	A48M Class30B	EN 1561 GJL-200	1
23	Strainer Stand	Steel (Cold Rolled) + Steel Pipe	A109/A1008 + A53 Type F	EN 10130 + DIN 1615 St33	1
24A	Agitator	High Chrome Cast Iron	A532 Class III Type A	DIN 1695 G-X260Cr27	1
24B	Clutch	Malleable Cast Iron (Hardened)	A47M Grade 22010	EN 1562 GJMB-350-10	1
25	Mechanical Seal	Silicon Carbide / NH-40			1
26	Oil Seal	Nitrile Butadiene Rubber / TC-45629			1
29	Oil Casing	Cast Iron	A48M Class30B	EN 1561 GJL-200	1
32	Discharge Connection	Cast Iron / NPT 3"	A48M Class30B	EN 1561 GJL-200	1
33	Suction Plate	High Chrome Cast Iron	A532 Class III Type A	DIN 1695 G-X260Cr27	1
35	Oil Plug	Stainless Steel	S 30400	1.4301	1
36	Lubricant	Turbine Oil ISO VG32 or SAE10W/20W			
46	Air Valve	Steel (Cold Rolled)	A109/A1008	EN 10130	1
50	Motor Head Cover	Cast Iron	A48M Class25B	EN 1561 GJL-150	1
52A	Upper Bearing	#6305ZZC3			1
52B	Lower Bearing	#6308ZZC3			1
53	Motor Protector				1
54	Shaft	Chrome-Molybden Alloy H-Steel	AISI 4135H	ISO 683-1 34CrMo4	1
55	Rotor				1
56	Stator				1
60	Bearing Housing	Cast Iron	A48M Class25B	EN 1561 GJL-150	1
64	Motor Housing	Cast Iron	A48M Class25B	EN 1561 GJL-150	1
65	Outer Cover	Steel	A283 Grade D	EN 10025 S275	1
68	Handle	Steel Pipe + Steel	A53 Type F + A283 Grade D	DIN 1615 St33 + EN 10025 S275	1
71	Shaft Sleeve	Stainless Steel	S 30400	1.4301	1

PARTS LIST		AGITATOR PUMP				10/9/2018
ITEM	PART No.	DESCRIPTION	QTY	SIZE	MATERIAL	NOTES
1	001-509-36	Cabtyre Cable Set (50') 60Hz (USA)	1	2PNCTF4Cx3.5mm2	KR-2	interchangable w/OLD# 001-312-30
2	070-107-18	Cable Clamp	1		FC	included in ITEM#1 Cable Ass'y
3	141-004-17	Hex.Nut	1	M6	SUS304	
4	010-120-18	Cable Clip	1	No.2-1	SPC	
5	095-131-18	Chain	1	4mm(3L)	SS	
6	011-110-11	Shackle	1	6mm(M8.SC)	SS	
7	140-081-15	Hex.Bolt	4	M10x50	SUS304	
8	142-164-19	Spring Washer	4	M10	SUS304	
9	142-128-24	Plain Washer	1	M10	SPC	
10	070-103-10	L-Shape Fitting	1	KT-55	SPC	
11	010-121-19	Cable Clip Rubber	1	No.1	NBR	
12	140-032-11	Hex.Bolt	1	M6x15	SUS304	
13	006-126-14	Stuffing Box 460V-60Hz(USA)	1	No.2	FC	included in ITEM#1 Cable Ass'y
14	140-035-14	Hex.Bolt	2	M6x20	SUS304	included in ITEM#1 Cable Ass'y
15	008-143-13	Mould Cover 460V-60Hz(USA)	1	KR2-8	CR	included in ITEM#1 Cable Ass'y
16	009-123-10	Terminal	3	P-5.5	CU	included in ITEM#1 Cable Ass'y
17	002-129-15	Heat Shrink Tube (Sold per meter)	m	EVA(d14x1t)	(Vm)	
18	002-132-11	Heat Shrink Tube (Sold per meter)	m	A4(d17x0.27t)	(Vm)	
19	009-123-10	Terminal	3	P-5.5	CU	
20	009-101-12	Terminal(C/W Screw)	3	d12x(d6.6xd6.6)x25l	C3604	
21	140-055-10	Hex.Bolt	4	M8x25	SUS304	
22	143-124-10	Pan Screw (w/Spring Washer/Plain Washer)	1	M4x6	SWRM	
23	121-343-19	Packing	4	d9.5xd16x5t	NBR	*
24	009-143-16	Terminal 460V-60Hz(USA)	1	R-3.5-5S	CU	included in ITEM#1 Cable Ass'y
25	050-367-16	Motor Bracket	1		FC	
26	122-410-11	O-Ring	1	190xd3.8	NBR	*
27	053-358-13	Motor Protector 460V-60Hz(USA)	1	KA313-GCZL103	(H.C)	
28	142-124-20	Plain Washer	2	M4	SPC	
29	142-160-31	Spring Washer	2	M4	SWRH	
30	143-016-18	Pan Screw	2	M4x12	SWRM	
31	140-052-17	Hex.Bolt	2	M8x16	SUS304	
32	046-000-05	Air Release Valve	1	GSZ/NKZ/B	SPCC	
33	121-151-18	Packing	1	P.C.80xd50	CR	*
34	142-128-11	Plain Washer	4	M10	SUS304	
35	058-155-13	Lead Wire Protection Plate	1	d78xd180x1.6t	Bakelite	
36	055-568-14	Rotor	1Set			
37	147-024-11	Impeller Key	1	8x8x38L	SUS420	
38		Stator 460V-60Hz	1Set			

PARTS LIST		AGITATOR PUMP				10/9/2018
ITEM	PART No.	DESCRIPTION	QTY	SIZE	MATERIAL	NOTES
39	203-017-18	Ball	1	d28	NBR	
40	068-236-10	Handle	1	NKZ3-5.5KW	SGP+SPC	
41	142-197-11	Wave Washer	1	6305	SK5	
42	052-108-13	Bearing	1	6305ZZC3		
43	122-156-16	O-Ring	1	G-250(249.3xd5.7)	NBR	*
44	065-158-18	Outer Cover	1	NKZ2-5.5KW	SS	
45	122-156-16	O-Ring	1	G-250(249.3xd5.7)	NBR	*
46	064-441-18	Motor Frame	1		FC	
47	122-410-11	O-Ring	1	190xd3.8	NBR	*
48	143-043-14	Pan Screw	3	M6x12	SWRM	
49	062-116-15	Bearing Fixing Plate	1	d80xd115x3.2t	SS	
50	140-099-16	Hex.Bolt	4	M12x40	SUS304	
51	142-165-10	Spring Washer	4	M12	SUS304	
52	060-356-13	Bearing Housing	1		FC	
53	026-155-14	Oil Seal	1	TC-45629	NBR	
54	122-118-16	O-Ring	1	G-35(34.4xd3.1)	NBR	*
55	071-133-29	Shaft Sleeve	1	GPN2-80	SUS304	
56	025-209-11	Mechanical Seal	1	NH-40	SiC	
57	122-330-16	O-Ring	1	155xd3.8	NBR	*
58	029-194-27	Oil Casing	1	GPN2-80	FC	
59	052-111-19	Bearing	1	6308ZZC3		
60	146-025-19	Retaining Ring	1	C40	SK5	
61	142-164-19	Spring Washer	4	M10	SUS304	
62	140-079-10	Hex.Bolt	4	M10x40	SUS304	
63	035-113-18	Oil Plug	1	M12x14	SUS304	
64	121-247-12	Packing	1	d12.3xd18x2t	PE	*
65	143-070-10	Pan Screw	3	M5x6	SWRM	
66	142-164-19	Spring Washer	4	M10	SUS304	
67	140-076-17	Hex.Bolt	4	M10x30	SUS304	
68	122-299-12	O-Ring	1	260xd3.8	NBR	*
69	020-542-14	Pump Casing	1	GPN2-80	FC	
70	040-122-16	Impeller Shim		d35.2xd45.2x0.3t	SUS304	
71	021-575-19	Impeller (60Hz)	1	GPN35.5-61	HiCrFC	
72	120-112-14	Packing (S.Cover)		d260xd314x0.5t	PE	
73	140-139-19	Hex.Bolt	1	M16x143(B=19)	SUS304	
74	140-001-08	Square.Bolt	3	M8x35	SUS304	
75	022-420-24	Suction Cover	1	KRS-100	FC	
76	142-163-18	Spring Washer	3	M8	SUS304	

PARTS LIST		AGITATOR PUMP				10/9/2018
ITEM	PART No.	DESCRIPTION	QTY	SIZE	MATERIAL	NOTES
77	142-129-25	Plain Washer	3	M12	SPC	
78	141-005-18	Hex.Nut	3	M8	SUS304	
79	144-478-15	Stud Bolt	3	M12x111(25/21)	SUS403	
80	023-241-19	Strainer Stand (1st)	1Set	KRS-100(170mm)	SPC+SGP	DISCONTINUED
80	023-001-85	Strainer Stand (2nd)	1Set	KRS-100(189mm)	SGP+SS	
81	142-165-10	Spring Washer	3	M12	SUS304	
82	141-007-10	Hex.Nut	3	M12	SUS304	
83	024-131-18	Connection Rod	1	GPN2-80	FCMB	
84	024-120-14	Aqitator	1	GPN-80	HiCrFC	
85	142-130-16	Plain Washer	1	M16	SUS304	
86	141-008-40	Hex.Nut	1	M16(H=10)	SUS304	
87	033-110-19	Suction Plate	1	KRS-100	HiCrFC	
88	142-129-25	Plain Washer	3	M12	SPC	
89	140-097-14	Hex.Bolt	3	M12x30	SUS304	
90	140-076-17	Hex.Bolt	4	M10x30	SUS304	
91	032-161-12	Hose Coupling	1	NPT-3(GH-22L)	FC	
92	121-141-15	Packing	1	KRB-3/4	NBR	*
	173-443-11	Packing O-Ring Set	1Set	(Marked by *)		
23	121-343-19	Packing (Handle Bolt)	4	d9.5xd16x5t	NBR	*
26	122-410-11	O-Ring (M.Bracket/M.Frame)	1	190xd3.8	NBR	*
33	121-151-18	Packing (Air Release Valve)	1	P.C.80xd50	CR	*
43	122-156-16	O-Ring (M.Bracket/Out.Cover)	1	G-250(249.3xd5.7)	NBR	*
45	122-156-16	O-Ring (Out.Cover/Brg.Housing)	1	G-250(249.3xd5.7)	NBR	*
47	122-410-11	O-Ring (M.Frame/Brg.Housing)	1	190xd3.8	NBR	*
54	122-118-16	O-Ring (Shaft Sleeve)	1	G-35(34.4xd3.1)	NBR	*
57	122-330-16	O-Ring (Brg.Housing/O.Casing)	1	155xd3.8	NBR	*
64	121-247-12	Packing (Oil Plug)	1	d12.3xd18x2t	PE	*
68	122-299-12	O-Ring (Brg.Housing/P.Casing)	1	260xd3.8	NBR	*
92	121-141-15	Packing (Hose Coupling)	1	KRB-3/4	NBR	*
		Lubricant		Turbine Oil VG32 1,100ml		
	183-002-15	Impeller Puller	1	B No.2	FCD	

PARTS LIST		AGITATOR PUMP					10/9/2018
ITEM	PART No.	DESCRIPTION	QTY	SIZE	MATERIAL	NOTES	

EXPLODED VIEW

GPN35.5-61

